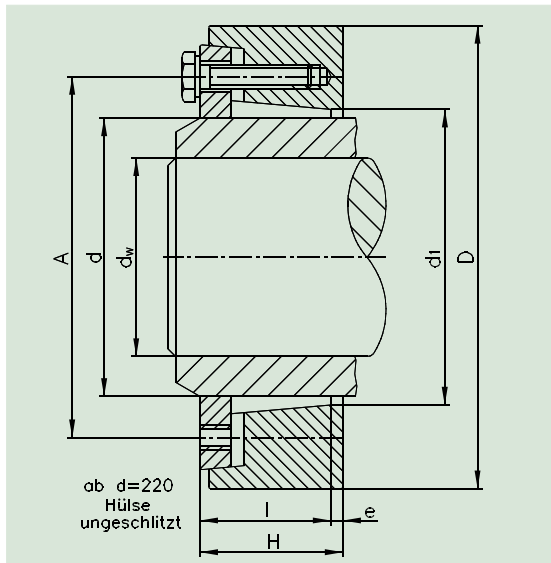


Schrumpfscheibe, 2-teilig, Typ 3171



Die Maße H und e gelten für den ungespannten Zustand

M_t = übertragbares Drehmoment einer Schrumpfscheibe

M_A = erforderliches Anzugsmoment der Spannschrauben

Z - Anzahl Spannschrauben

| d_w mm | d mm | M_t Nm | D mm | H mm | l mm | e mm | d_1 mm | A mm | M_A Nm | Z | DIN 933-10.9 | Gewicht kg |
|-------------|---------|-------------|---------|---------|---------|---------|-------------|---------|-------------|----|-----------------|---------------|
| 19 | 24 | 185 | 50 | 18 | 16 | 2 | 26 | 36 | 12 | 4 | M 6x16 | 0,2 |
| 20 | 24 | 214 | 50 | 18 | 16 | 2 | 26 | 36 | 12 | 4 | M 6x16 | 0,2 |
| 21 | 24 | 244 | 50 | 18 | 16 | 2 | 26 | 36 | 12 | 4 | M 6x16 | 0,2 |
| 24 | 30 | 390 | 60 | 20 | 18 | 2 | 32 | 44 | 12 | 6 | M 6x16 | 0,3 |
| 25 | 30 | 430 | 60 | 20 | 18 | 2 | 32 | 44 | 12 | 6 | M 6x16 | 0,3 |
| 26 | 30 | 479 | 60 | 20 | 18 | 2 | 32 | 44 | 12 | 6 | M 6x16 | 0,3 |
| 28 | 36 | 655 | 72 | 22 | 20 | 2 | 38 | 52 | 30 | 5 | M 8x20 | 0,5 |
| 30 | 36 | 742 | 72 | 22 | 20 | 2 | 38 | 52 | 30 | 5 | M 8x20 | 0,5 |
| 31 | 36 | 792 | 72 | 22 | 20 | 2 | 38 | 52 | 30 | 5 | M 8x20 | 0,5 |
| 34 | 44 | 726 | 80 | 24 | 22 | 2 | 47 | 61 | 30 | 5 | M 8x20 | 0,6 |
| 35 | 44 | 790 | 80 | 24 | 22 | 2 | 47 | 61 | 30 | 5 | M 8x20 | 0,6 |
| 36 | 44 | 859 | 80 | 24 | 22 | 2 | 47 | 61 | 30 | 5 | M 8x20 | 0,6 |
| 38 | 50 | 1230 | 90 | 27 | 24 | 3 | 53 | 68 | 30 | 7 | M 8x20 | 0,8 |
| 40 | 50 | 1370 | 90 | 27 | 24 | 3 | 53 | 68 | 30 | 7 | M 8x20 | 0,8 |
| 42 | 50 | 1600 | 90 | 27 | 24 | 3 | 53 | 68 | 30 | 7 | M 8x20 | 0,8 |
| 42 | 55 | 1524 | 100 | 29 | 26 | 3 | 58 | 72 | 30 | 8 | M 8x20 | 1,1 |
| 45 | 55 | 1825 | 100 | 29 | 26 | 3 | 58 | 72 | 30 | 8 | M 8x20 | 1,1 |
| 48 | 55 | 2174 | 100 | 29 | 26 | 3 | 58 | 72 | 30 | 8 | M 8x20 | 1,1 |
| 48 | 62 | 1783 | 110 | 29 | 26 | 3 | 66 | 80 | 30 | 8 | M 8x20 | 1,3 |
| 50 | 62 | 1990 | 110 | 29 | 26 | 3 | 66 | 80 | 30 | 8 | M 8x20 | 1,3 |
| 52 | 62 | 2162 | 110 | 29 | 26 | 3 | 66 | 80 | 30 | 8 | M 8x20 | 1,3 |
| 50 | 68 | 1962 | 115 | 29 | 26 | 3 | 72 | 86 | 30 | 9 | M 8x20 | 1,4 |
| 55 | 68 | 2458 | 115 | 29 | 26 | 3 | 72 | 86 | 30 | 9 | M 8x20 | 1,4 |
| 60 | 68 | 3100 | 115 | 29 | 26 | 3 | 72 | 86 | 30 | 9 | M 8x20 | 1,4 |
| 55 | 75 | 3075 | 138 | 31 | 27 | 4 | 84 | 100 | 59 | 8 | M 10x25 | 2,4 |
| 60 | 75 | 3826 | 138 | 31 | 27 | 4 | 84 | 100 | 59 | 8 | M 10x25 | 2,4 |
| 65 | 75 | 4660 | 138 | 31 | 27 | 4 | 84 | 100 | 59 | 8 | M 10x25 | 2,4 |
| 60 | 80 | 3472 | 138 | 31 | 27 | 4 | 84 | 104 | 59 | 8 | M 10x25 | 2,3 |
| 65 | 80 | 4240 | 138 | 31 | 27 | 4 | 84 | 104 | 59 | 8 | M 10x25 | 2,3 |
| 70 | 80 | 5090 | 138 | 31 | 27 | 4 | 84 | 104 | 59 | 8 | M 10x25 | 2,3 |
| 65 | 90 | 4845 | 155 | 38 | 34 | 4 | 94 | 114 | 59 | 10 | M 10x30 | 3,3 |
| 70 | 90 | 5830 | 155 | 38 | 34 | 4 | 94 | 114 | 59 | 10 | M 10x30 | 3,3 |
| 75 | 90 | 6930 | 155 | 38 | 34 | 4 | 94 | 114 | 59 | 10 | M 10x30 | 3,3 |
| 70 | 100 | 6230 | 170 | 43 | 39 | 4 | 104 | 124 | 59 | 12 | M 10x30 | 4,5 |
| 75 | 100 | 7400 | 170 | 43 | 39 | 4 | 104 | 124 | 59 | 12 | M 10x30 | 4,5 |
| 80 | 100 | 8700 | 170 | 43 | 39 | 4 | 104 | 124 | 59 | 12 | M 10x30 | 4,5 |
| 80 | 110 | 10000 | 185 | 49 | 44 | 5 | 114 | 136 | 100 | 10 | M 12x30 | 6,1 |
| 85 | 110 | 11700 | 185 | 49 | 44 | 5 | 114 | 136 | 100 | 10 | M 12x30 | 6,1 |
| 90 | 110 | 13600 | 185 | 49 | 44 | 5 | 114 | 136 | 100 | 10 | M 12x30 | 6,1 |
| 90 | 125 | 13000 | 215 | 54 | 48 | 6 | 134 | 160 | 100 | 12 | M 12x35 | 9 |
| 95 | 125 | 14900 | 215 | 54 | 48 | 6 | 134 | 160 | 100 | 12 | M 12x35 | 9 |
| 100 | 125 | 17000 | 215 | 54 | 48 | 6 | 134 | 160 | 100 | 12 | M 12x35 | 9 |

Schrumpfscheibe, 2-teilig, Typ 3171

| d_w | d | M_t | D | H | l | e | d_1 | A | M_A | Z | DIN | Gewicht |
|-------|-----|---------|-----|-----|-----|----|-------|-----|-------|----|----------|---------|
| mm | mm | Nm | mm | mm | mm | mm | mm | mm | Nm | | 933-10.9 | kg |
| 100 | 140 | 16700 | 230 | 58 | 52 | 6 | 145 | 173 | 160 | 10 | M 14x40 | 11 |
| 105 | 140 | 19000 | 230 | 58 | 52 | 6 | 145 | 173 | 160 | 10 | M 14x40 | 11 |
| 110 | 140 | 24000 | 230 | 58 | 52 | 6 | 145 | 173 | 160 | 10 | M 14x40 | 11 |
| 110 | 155 | 24400 | 263 | 62 | 56 | 6 | 165 | 190 | 160 | 12 | M 14x40 | 15,6 |
| 115 | 155 | 27200 | 263 | 62 | 56 | 6 | 165 | 190 | 160 | 12 | M 14x40 | 15,6 |
| 120 | 155 | 30200 | 263 | 62 | 56 | 6 | 165 | 190 | 160 | 12 | M 14x40 | 15,6 |
| 120 | 165 | 34600 | 290 | 68 | 61 | 7 | 175 | 204 | 250 | 10 | M 16x45 | 22 |
| 125 | 165 | 38200 | 290 | 68 | 61 | 7 | 175 | 204 | 250 | 10 | M 16x45 | 22 |
| 130 | 165 | 42000 | 290 | 68 | 61 | 7 | 175 | 204 | 250 | 10 | M 16x45 | 22 |
| 130 | 175 | 42000 | 300 | 68 | 60 | 8 | 185 | 214 | 250 | 12 | M 16x50 | 23 |
| 135 | 175 | 46000 | 300 | 68 | 60 | 8 | 185 | 214 | 250 | 12 | M 16x50 | 23 |
| 140 | 175 | 50200 | 300 | 68 | 60 | 8 | 185 | 214 | 250 | 12 | M 16x50 | 23 |
| 140 | 185 | 61400 | 330 | 85 | 77 | 8 | 195 | 224 | 250 | 14 | M 16x50 | 36 |
| 145 | 185 | 66700 | 330 | 85 | 77 | 8 | 195 | 224 | 250 | 14 | M 16x50 | 36 |
| 150 | 185 | 72300 | 330 | 85 | 77 | 8 | 195 | 224 | 250 | 14 | M 16x50 | 36 |
| 150 | 200 | 77500 | 350 | 85 | 77 | 8 | 205 | 240 | 250 | 16 | M 16x50 | 40 |
| 155 | 200 | 83600 | 350 | 85 | 77 | 8 | 205 | 240 | 250 | 16 | M 16x50 | 40 |
| 160 | 200 | 90000 | 350 | 85 | 77 | 8 | 205 | 240 | 250 | 16 | M 16x50 | 40 |
| 160 | 220 | 101000 | 370 | 103 | 94 | 9 | 226 | 270 | 490 | 16 | M 20x60 | 53 |
| 165 | 220 | 109000 | 370 | 103 | 94 | 9 | 226 | 270 | 490 | 16 | M 20x60 | 53 |
| 170 | 220 | 117000 | 370 | 103 | 94 | 9 | 226 | 270 | 490 | 16 | M 20x60 | 53 |
| 170 | 240 | 122000 | 405 | 107 | 97 | 10 | 246 | 296 | 490 | 18 | M 20x60 | 66 |
| 180 | 240 | 140000 | 405 | 107 | 97 | 10 | 246 | 296 | 490 | 18 | M 20x60 | 66 |
| 190 | 240 | 159000 | 405 | 107 | 97 | 10 | 246 | 296 | 490 | 18 | M 20x60 | 66 |
| 190 | 260 | 163000 | 430 | 119 | 109 | 10 | 266 | 318 | 490 | 21 | M 20x60 | 81 |
| 200 | 260 | 184000 | 430 | 119 | 109 | 10 | 266 | 318 | 490 | 21 | M 20x60 | 81 |
| 210 | 260 | 207000 | 430 | 119 | 109 | 10 | 266 | 318 | 490 | 21 | M 20x60 | 81 |
| 210 | 280 | 215000 | 460 | 132 | 122 | 10 | 287 | 340 | 490 | 22 | M 20x60 | 102 |
| 220 | 280 | 240000 | 460 | 132 | 122 | 10 | 287 | 340 | 490 | 22 | M 20x60 | 102 |
| 230 | 280 | 267000 | 460 | 132 | 122 | 10 | 287 | 340 | 490 | 22 | M 20x60 | 102 |
| 220 | 300 | 271000 | 485 | 140 | 130 | 10 | 307 | 360 | 840 | 20 | M 24x70 | 118 |
| 230 | 300 | 300000 | 485 | 140 | 130 | 10 | 307 | 360 | 840 | 20 | M 24x70 | 118 |
| 240 | 300 | 331000 | 485 | 140 | 130 | 10 | 307 | 360 | 840 | 20 | M 24x70 | 118 |
| 240 | 320 | 301000 | 520 | 140 | 130 | 10 | 327 | 380 | 840 | 21 | M 24x70 | 137 |
| 250 | 320 | 332000 | 520 | 140 | 130 | 10 | 327 | 380 | 840 | 21 | M 24x70 | 137 |
| 260 | 320 | 364000 | 520 | 140 | 130 | 10 | 327 | 380 | 840 | 21 | M 24x70 | 137 |
| 250 | 340 | 390000 | 570 | 155 | 143 | 12 | 348 | 402 | 840 | 22 | M 24x80 | 189 |
| 260 | 340 | 427000 | 570 | 155 | 143 | 12 | 348 | 402 | 840 | 22 | M 24x80 | 189 |
| 270 | 340 | 466000 | 570 | 155 | 143 | 12 | 348 | 402 | 840 | 22 | M 24x80 | 189 |
| 270 | 360 | 496000 | 590 | 159 | 147 | 12 | 368 | 424 | 840 | 24 | M 24x80 | 202 |
| 280 | 360 | 539000 | 590 | 159 | 147 | 12 | 368 | 424 | 840 | 24 | M 24x80 | 202 |
| 290 | 360 | 584000 | 590 | 159 | 147 | 12 | 368 | 424 | 840 | 24 | M 24x80 | 202 |
| 290 | 390 | 640000 | 650 | 163 | 149 | 14 | 398 | 458 | 1250 | 18 | M 27x80 | 250 |
| 300 | 390 | 691000 | 650 | 163 | 149 | 14 | 398 | 458 | 1250 | 18 | M 27x80 | 250 |
| 310 | 390 | 744000 | 650 | 163 | 149 | 14 | 398 | 458 | 1250 | 18 | M 27x80 | 250 |
| 320 | 420 | 742000 | 690 | 183 | 168 | 15 | 430 | 495 | 1250 | 21 | M 27x80 | 314 |
| 330 | 420 | 797000 | 690 | 183 | 168 | 15 | 430 | 495 | 1250 | 21 | M 27x80 | 314 |
| 340 | 420 | 853000 | 690 | 183 | 168 | 15 | 430 | 495 | 1250 | 21 | M 27x80 | 314 |
| 340 | 440 | 945000 | 740 | 193 | 178 | 15 | 450 | 512 | 1250 | 24 | M 27x80 | 389 |
| 350 | 440 | 1009000 | 740 | 193 | 178 | 15 | 450 | 512 | 1250 | 24 | M 27x80 | 389 |
| 360 | 440 | 1075000 | 740 | 193 | 178 | 15 | 450 | 512 | 1250 | 24 | M 27x80 | 389 |
| 360 | 460 | 1104000 | 770 | 193 | 178 | 15 | 470 | 536 | 1250 | 25 | M 27x80 | 430 |
| 370 | 460 | 1174000 | 770 | 193 | 178 | 15 | 470 | 536 | 1250 | 25 | M 27x80 | 430 |
| 380 | 460 | 1246000 | 770 | 193 | 178 | 15 | 470 | 536 | 1250 | 25 | M 27x80 | 430 |
| 380 | 480 | 1300000 | 800 | 213 | 198 | 15 | 490 | 556 | 1250 | 27 | M 27x80 | 514 |
| 390 | 480 | 1378000 | 800 | 213 | 198 | 15 | 490 | 556 | 1250 | 27 | M 27x80 | 514 |
| 400 | 480 | 1458000 | 800 | 213 | 198 | 15 | 490 | 556 | 1250 | 27 | M 27x80 | 514 |
| 400 | 500 | 1496000 | 850 | 213 | 198 | 15 | 510 | 580 | 1250 | 28 | M 27x80 | 590 |
| 410 | 500 | 1581000 | 850 | 213 | 198 | 15 | 510 | 580 | 1250 | 28 | M 27x80 | 590 |
| 420 | 500 | 1668000 | 850 | 213 | 198 | 15 | 510 | 580 | 1250 | 28 | M 27x80 | 590 |